



Established 1930

Distributors of new & used workshop Equipment

W453 SB-10H

TABLE SAW

INSTRUCTION & PARTS MANUAL

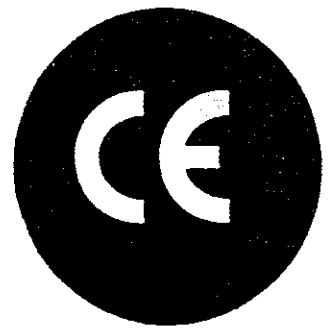
30-08-2005

W453 SB-10H 30/8/05

INSTRUCTION MANUAL

TABLE SAW

MODEL NO.:MJ2325B



SAVE THIS MANUAL FOR FUTURE REFERENCE.

▲CAUTION:Read and follow all SAFETY RULES and OPERATING INSTRUCTONS
before first use of this product.

1.	manual cover	1
2.	Please read first	2
3.	Specification	3
4.	Safety	3
4.1	Specified conditions of use	3
4.2	General safety instructions	3~5
4.3	Symbols used throughout these instructions	5
4.4	Safety devices	5
5.	Unpacking	5
6.	Special product features	5
7.	Operating elements	5~6
8.	Initial operation	6
8.1	Replacing the fuse in the switch box	6~7
8.2	Installing the extension table	7
8.3	Installing the front rail	7~8
8.4	Installing the rear rail	8
8.5	Installing the rip fence	8
8.6	Installing the blade guard	9
8.7	Connection of dust collector	9
8.8	Mains connection	9
9.	Operation	9~10
9.1	Sawing	10
9.2	Mitre cuts	10
9.3	Rip cuts with rip fence	10
10.	Care and maintenance	11
10.1	Saw blade change	11~12
10.2	Cleaning the saw	12
10.3	Machine storage	12
10.4	Maintenance	12
11.	Tips and tricks	12
12.	Repairs	12
13.	Trouble shooting	13~14
14.	Transportation	15
15.	Circuit diagrams	15
16.	Instruction for thermocutout in motor	15
17.	Diagrams and parts lists	16~26

2. Please Read First

WARNING! When using electric tools basic safety

precautions should always be followed to reduce the risk of fire, electric shock and personal injury including the following.

- Read these instructions before attempting to operate this product and save these instructions.
- If you notice transport damage while unpacking, notify your supplier immediately. Do not operate the saw!
- Dispose of the packing in an environmentally friendly manner. Take to a proper collecting point.
- Keep these instructions for reference on any issues you may be uncertain about.



ATTENTION:

FOR YOUR OWN SAFETY: READ AND UNDERSTAND THE OWNER'S MANUAL BEFORE OPERATING MACHINE.

1. Set up the saw on a firm, level, non-slip, vibration-free base. Keep the site free of tripping hazards. Ensure adequate lighting conditions.
2. Do not wear loose fitting clothes, remove rings, wrist-watch and bracelets. Tie back long hair.
3. Wear safety goggles and face shield if operation is dusty. Wear ear defenders.
4. Do not use the saw in a moist or wet environment, or in the vicinity of combustible liquids and gases.
5. The saw must only be operated with all correctly mounted guards.
6. Never use cracked or distorted saw blades. Only use sharp saw blades.
7. Use a pushing stick when rip sawing narrow workpiece.

Limitations on ambient conditions

The circular saw bench is designed for operating on the site:

The height above sea level doesn't exceed 1000m;

The temperature range of air doesn't exceed 0°C~40°C.

3. Specification

Rating	230V~50Hz 2.2kW	
Blade no-load speed	RPM	2800
Blade tilt		0° ~45°
Table dimensions	mm	560 × 800
Table extension	mm	305 × 800
Working height	mm	845
Saw blade diameter	Φ mm	254
Blade Bore Dia.	Φ mm	25.4
Cutting capacity (0°)	mm	75
Cutting capacity (45°)	mm	60


4. Safety

4.1 Specified conditions of use

This machine is intended to rip and crosscut grown timber, faced boards, chip board and wood-core plywood sheets, and similar wood-derived materials.

Do not cut round stock without suitable jigs or fixtures. The rotating saw blade could turn the workpiece. When sawing thin stock layed on edge, a suitable guide must be used for firm support.

Use of wobble saw blades is not permitted on this machine.

 **Danger! Any other use is not as specified.**

Use not as specified, alteration of the electric tool or use of parts that are not approved by the equipment manufacturer can cause unforeseeable damage!

4.2 General safety instructions

1. Keep work area clear

- Cluttered areas and benches invite injuries.

2. Consider work area environment

- Do not expose tools to rain.
- Do not use tools in damp or wet locations.
- Keep work area well lit.
- Do not use tools in the presence of flammable liquids or gases.

3. Guard against electric shock

- Avoid body contact with earthed or grounded surfaces. (e.g. pipes, radiators, ranges, refrigerators).

4. Keep other persons away

- Do not let persons, especially children, not involved in the work touch the tool or the extension cord and keep them away from the work area.

5. Store idle tools

- When not in use, tools should be stored in a dry locked up place, out of reach of children.

6. Do not force the tool

- It will do the job better and safer at the rate for when it was intended.

7. Use the right tool

- Do not force small tools to do the job of a heavy duty tool.
- Do not use tools for purposes not intended; for example do not use circular saws to cut tree limbs or legs.

8. Dress properly

- Do not wear loose clothing or jewellery, they can be caught in moving parts.
- Non-skid footwear is recommended when working outdoors.
- Wear protective hair covering to contain long hair.

9. Use protective equipment

- Use safety glasses.
- Use face or dust mask if working operations create dust.

10. Connect dust extraction equipment

- If the tool is provided for the connection of dust extraction and collecting equipment, ensure these are connected and properly used.

11. Do not abuse the cord

- Never yank the cord to disconnect it from the socket. Keep the cord away from heat, oil and sharp edges.

12. Secure work

- Where possible use clamps or a vice to hold the work. It is safer than using your hand.

13. Do not overreach

- Keep proper footing and balance at all times.

14. maintain tools with care
 - Keep cutting tools sharp and clean for better and safer performance.
 - Follow instructions for lubricating and changing accessories.
 - Inspect tool cords periodically and if damaged have them repaired by an authorized service facility.
 - Inspect extension cords periodically and replace if damaged.
 - Keep handles dry, clean and free from oil and grease.

15. Disconnect tools
 - When not in use, before servicing and when changing accessories such as blades, bits and cutters, disconnect tools from the power supply.

16. Remove adjusting keys and wrenches
 - Form the habit of checking to see that keys and adjusting wrenches are removed from the tool before turning it on.

17. Avoid unintentional starting
 - Ensure switch is in "off" position when plugging in.

18. Use outdoor extension leads
 - When the tool is used outdoors, use only extension cords intended for outdoor use and so marked.

19. stay alert
 - Watch what you are doing, use common sense and do not operate the tool when you are tired.

20. Check damaged parts
 - Before further use of tool, it should be carefully checked to determine that it will operate properly and perform its intended function.
 - Check for alignment of moving parts, binding of moving parts, breakage of parts, mounting and any other conditions that may affect its operation.
 - A guard or other part that is damaged should be properly repaired or placed by an authorized service centre unless otherwise indicated in this instruction manual.

21. Warning
 - Have defectives switches replaced by an authorized service centre.
 - Do not use the tool if the switch does not turn it on and off.

The use of any accessory or attachment other than one recommended in this instruction manual may present a risk of personal injury

 - Use push-sticks or push blocks to feed the workpiece past the saw blade
 - Use and correct adjustment of the riving knife.
 - Use and correct adjustment of the upper saw blade guard.
 - Rebating or grooving should not be carried out unless suitable guarding, such as a tunnel guard, is fitted above the saw table.
 - Saws shall not be used for slotting (stopped groove).
 - Use only saw blades for which the maximum possible speed is not less than the maximum spindle speed of the tool and the material to be cut.
 - When transporting the machine use only transportation devices and do never use guards for handling or transportation.
 - During transportation the upper part of the saw blade should be covered; for example by the guard.
 - Do not use saw blades which are damaged or deformed.
 - Replace table insert when worn.
 - Use only saw blades recommended by the manufacturer, which conform to EN 847-1.
 - Take care that the selection of the saw blade is suitable for the material to be cut:
 - Wear respiratory protection to reduce the risk of inhalation of harmful dust.
 - Saw blades shall be carried in a holder whenever practicable;
 - Connect circular saws to a dust-collecting device when sawing wood.
 - Do not use High speed steel (HS) blades.
 - The push-stick or push block should always be stored with the machine when not in use.

2. Have your tool repaired by a qualified person

This electric tool complies with the relevant safety rules. Repairs should only be carried out by qualified persons using original spare parts, otherwise this may result in considerable danger to the user.

3 Symbols used throughout these instructions



Danger!

Indicates risk of personal injury or severe material damage.



Risk of electric shock!

Risk of personal injury by electric shock.



Drawing-in/trapping hazard!

Risk of personal injury by body parts or clothing being drawn into the rotating saw blade.



Caution! Risk of material damage



Note: Supplementary Information

4.4 Safety devices

Blade guard

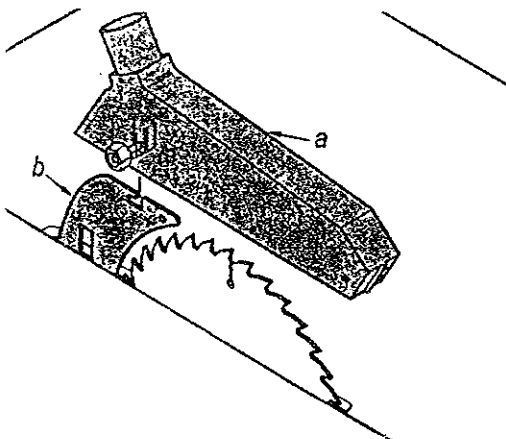
The blade guard (a) protects against unintentional contact with the saw blade and from chips flying about.

Always have blade guard installed during operation.

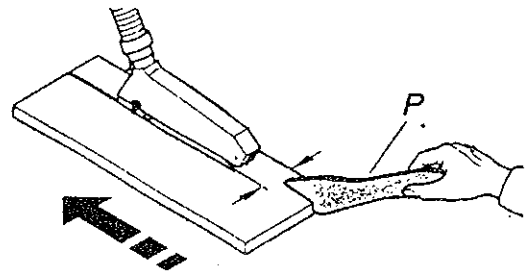
Riving knife

The riving knife (b) prevents the workpiece from being caught by the rising teeth of the saw blade and being thrown against the operator.

Always have blade guard installed during operation.



Push stick



The push stick (P) serves as an extension of the hand and protects against accidental contact with the saw blade.

Use push stick if distance rip fence – saw blade is ≤ 120 mm.

In order for the push stick to be always at hand, it can be stored in a sheath inside the machine's housing.

5. Unpacking

NOTE: Make sure all items are accounted for before discarding any packaging material.

WARNING: To avoid injury, if any parts are missing, do not attempt to assemble the machine, do not plug in the power cord, do not turn the switch on until the missing parts are obtained and installed correctly.

6. Special Product Features

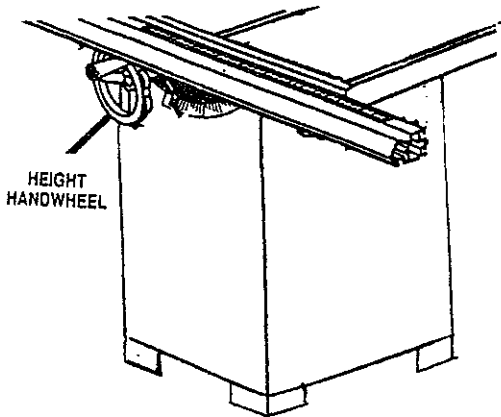
- All operating elements are located at the machine's front.
- Mitre fence and rip fence are standard delivery.

7. Operating Elements

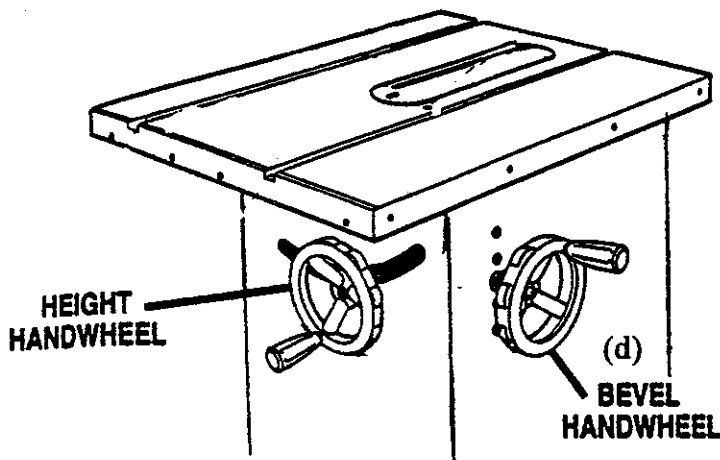
ON/OFF switch with emergency stop

- To switch ON = depress upper green button
- To switch OFF = push upper red button or on switch cover.

Height handwheel for setting the depth of cut
The depth of cut can be adjusted by turning the handwheel



Bevel handwheel for blade tilt setting
With the handwheel (d) the saw blade can be steplessly tilted to the right from 0° (vertical) through 45°.



Rip fence

The rip fence slides on the saw table's front rail and rear rail.

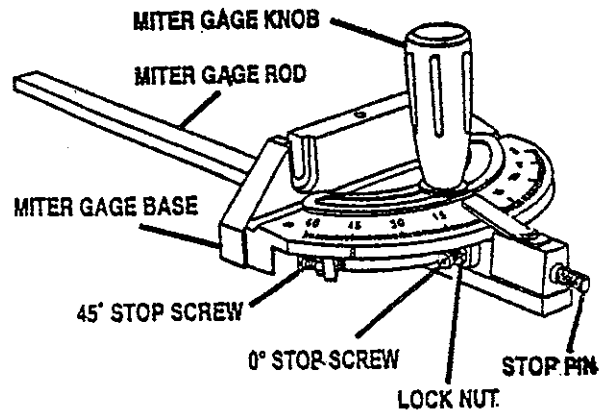
ADJUSTING THE MITER GAGE

You can set the miter gage at 0° and plus or minus 45° with the miter gage stop pin and adjustable stop screws.

Note: The miter gage provides close accuracy in angled cuts. For very close tolerances, test cuts are recommended.

- Loosen knob and pull out on stop pin to rotate miter gage base past stop screws.

- Loosen the lock nut of the 0° stop screw at the stop pin with an 8 mm wrench.
- Place a 90° square against the miter gage rod and the miter gage base.
- If the rod is not square, loosen the knob, adjust the rod, and tighten the knob.
- Adjust the 0° stop screw until it rests against the stop pin.
- Adjust the plus and minus 45° stop screws using a 45° triangle and the steps above.



8. Initial Operation

* Caution:

Before changing the fuse, you must make sure the power cable be unplugged in order to avoid injury.

8.1 Assembling the box stand

unpacking the master carton, take off the plastic foam and find four pieces stand panels, four stand level feet and a bag of hardware.

(i) Note:

Remaining hardware from this bag is used for assembly box stand.

Use 8-M8 × 12 hexagon head bolt with 16-Φ8 washer, 8-M8 nut tighten the front panel and side panel, then tighten the rear panel and side panel.

Place 4-stand level foot on the down side of stand, then also use 8-M8 × 12 hexagon head bolt with 16-Φ8 washer, 8-M8 nut tighten the stand and level foot.

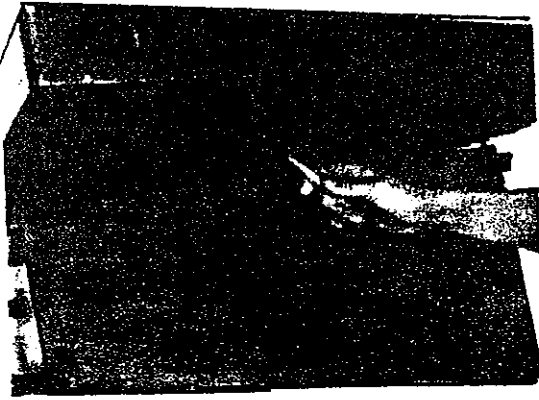
Warning:

Do not lift the saw unit without help.

The saw blade is too heavy to lift without help, customers should seek assistance from staff to lift this item.

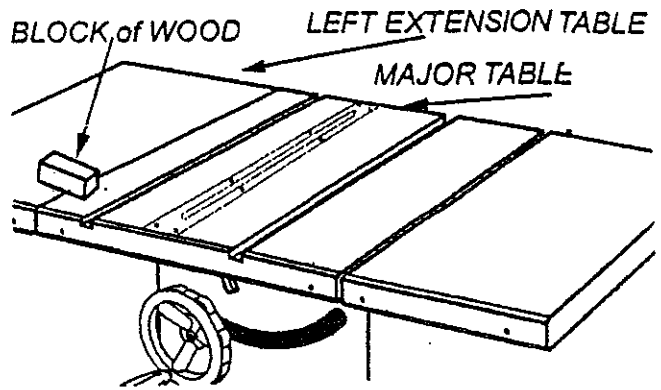
8.2 installing the extension table

1. Take off the extension table from the major carton, put 8-M8×20 hex head screws with 8mm washer in holes, so the screw heads extend outward 10mm.

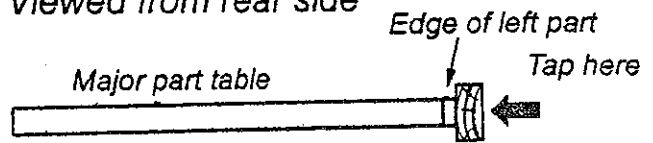


*** Caution:**

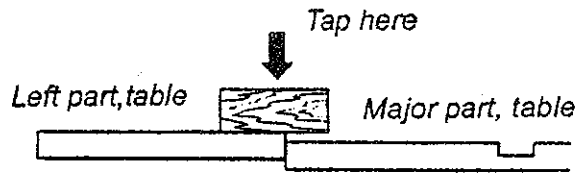
The left and right extension table can be exchanged.



Viewed from rear side



Viewed from top



Warning:

Installing extension table needs another-man's help.

2. Lift the extension table slightly, and sure four screws up on holes of major table.
3. Center the extension table over the edges and tap it. Check the surface alignment.
4. Tighten 8-screws with a 12mm wrench.

Warning:

The front and rear rails must be carefully aligned to reduce the risk of kickback, which can cause serious injury.

8.3 Installing the front rail

Take out the front rail from Rip fence carton.

Install the front rail needs following hardware:

5-square head bolt M8×25

5-8mm flat washer

5-M8 hex nuts

Right and left end cap for front rail

6-tapping screws ST3.9×12

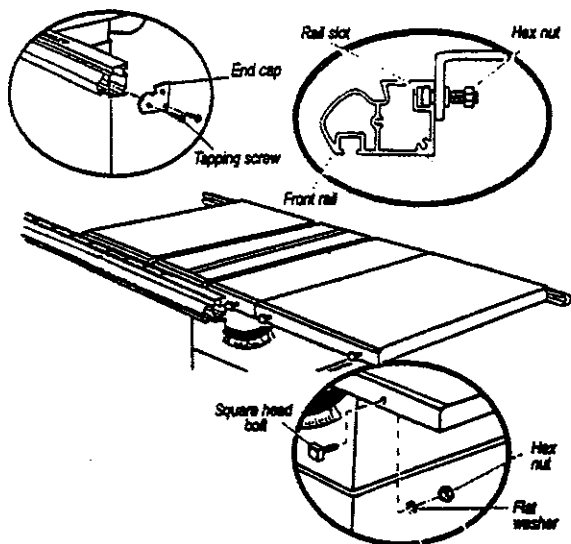
1. Insert the 5 square head bolts into the table and extensions, so the bolt heads extend out 6mm.
2. Loosely attach a flat washer and a hex nut to each bolt.

- Slide the slot on the front rail over bolts. Adjust each bolt to fit the rail closely to the table.
- Push the front rail against table and hand tighten each hex nut.

Note:

Make sure there are no gaps between the rail and edge of table or extensions.

- Put the left end caps on the rail ends. Insert the tapping screw and tighten with Phillips screwdriver.



8.4 Installing the rear rail

Take out the rear rail from Rip fence carton.

Warning:

The front and rear rails must be carefully aligned to reduce the risk of kickback, which can cause serious injury.

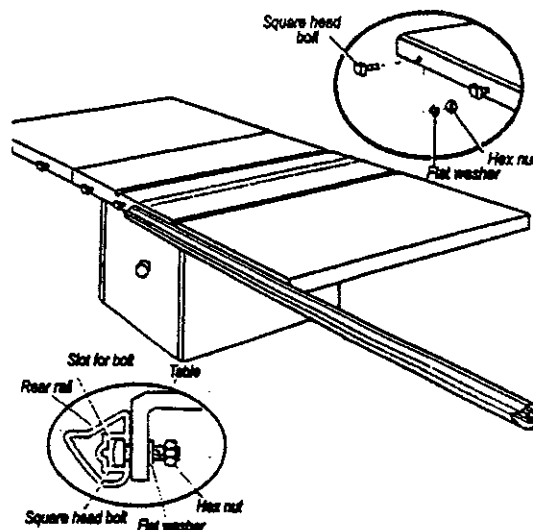
Install the rear rail needs following hardware:

- 5 square head bolt
- 5-8mm flat washer
- 5 M8 hex nuts

- At the back of the table, put the square head bolts in the holes in the edge of the table and extensions so the bolt heads extend outward 6 mm
- Loosely attach the flat washer and hex nut onto bolts. slide the slot on the rear rail over bolts adjust each bolt to fit the rail closely to the table.
- Push the rear rail against table and hand tighten all screws.

Note:

Make sure there are no gaps between the rail and edge of table or extensions.

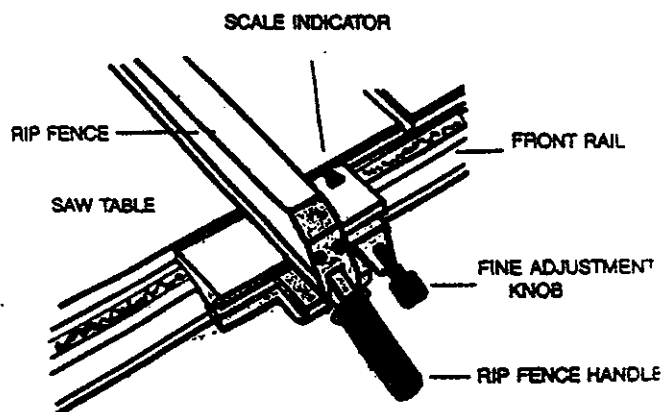


8.5 Installing the rip fence

- Unpacking the rip fence part from rip fence carton.
- Place the rip fence assembly on the scale mount.
- If need, attach the "L" shape extension to the rip fence.
- Slide the rip fence onto the rear and front rails.

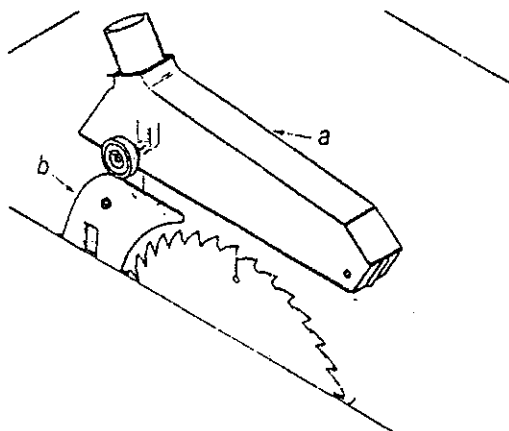
Caution!

This fence has a set micro adjusting device, which be positioned on the right side of the scale indicator housing when you sure the exact position by adjusting the rip fence and micro adjusting device, you should push down the rip fence handle to lock the rip fence.



5. Adjust the rear and front rails to keep the rip fence 1 mm above the table.
6. Place the rip fence against the saw blade, check the red line of scale mount right lens with the scale "0" on the front rail.
7. Lock down the rip fence handle after adjusting the fence to the proper position.

8.6 Installing blade guard



Install blade guard (a) on riving knife(b).

Riving knife informations

<p>Thickness: 2.8mm</p> <p>Blade Diameter: 254mm</p> <p>Solt Width: 8.2mm</p>
--

8.7 Connection of dust collector

⚠ Danger!

Dust of certain timber species (e.g. beech, oak, ash) can cause cancer when inhaled. Use a suitable dust collector when working in enclosed spaces, the dust collector must meet the following requirements:

- Hoses must fit the outer diameter of the dust extraction ports (blade guard 30mm and the chip case 100mm).
- Air flow volume $\geq 460 \text{ m}^3/\text{h}$;
- Vacuum at dust extraction port of saw $\geq 530 \text{ Pa}$;
- Air speed at dust extraction port of saw $\geq 20 \text{ m/s}$;

Operation without a dust collector is only possible:

- outdoors;
- for short-term operation;
(up to a maximum of 30 minutes)
- with dust respirator.

8.8 Mains connection

⚠ Danger! Electrical Hazard

Operate saw in dry environment only.

Operate saw only on a power source matching the following requirements:

- mains voltage and system frequency conform to the voltage and frequency shown on the saw's name plate;
 - outlets properly installed, earthed and tested.
- Position power supply cable so it does not interfere with the work and is not damaged.
- Protect power supply cable from heat, aggressive liquids and sharp edges.
- Do not pull on power supply cable to unplug.

9. Operation

⚠ Risk of injury!

This saw may only be operated by one person at a time. Other persons may stay only at a distance from the saw for the purpose of feeding or removing stock.

Before starting work check to see that the following are in proper working order:

power source range $230 \text{ V} \pm 10\%$, $50 \text{ Hz} \pm 1 \text{ Hz}$
environment humidity requirement for operation:

$\leq 50\% @ 40^\circ \text{C}$ or $90\% @ 20^\circ \text{C}$

environment humidity requirement for storage and transport: $-25^\circ \text{C} \sim 55^\circ \text{C}$

- power cable and plug;
- ON/OFF switch;
- riving knife;
- blade guard;
- push stick.

Use personal protection gear:

- dust respirator;
- hearing protection;
- safety goggles.

Assume proper operating position:

- at the front of the saw;
 - in front of the saw;
 - to the left of the line of cut.
- If working with two persons the second person should stand at a rear table extension.

If the type of work requires, use the following:

- table extension if working with two persons or if otherwise workpieces would fall off the saw table;
- dust collector.

Avoid typical operator mistakes:

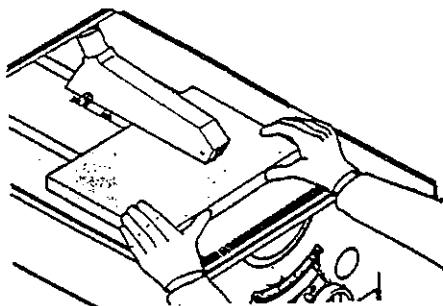
- Do not attempt to stop the saw blade by pushing the workpiece against its side. Risk of kickback.
- Always hold the workpiece down on the table and do not jam it. Risk of kickback.
- Never cut several workpieces at the same time – and also no bundles containing several individual pieces. Risk of personal injury if individual pieces are caught by the saw blade uncontrolled.

Drawing-in/trapping hazard!

Never cut stock to which ropes, cords, strings, cables or wires are attached or which contain such materials.

9.1 Sawing

For cutting the workpiece is evenly fed against the saw blade towards the rear of the table:



- 1, Set depth of cut. The blade guard must rest with its front edge on the workpiece.
- 2, Set blade tilt and lock in position.
- 3, Mount rip fence, if required.
- 4, Start saw.
- 5, Cut workpiece in a single pass.
- 6, Switch machine off if no further cutting is to be done immediately afterwards.

9.2 Mitre cuts

1. Fit mitre fence to the table slot.
- 2, Loosen lock knob, set fence to desired angle with the indicator and tighten lock knob again
- 3, Cut workpiece by pushing the mitre fence forward.

9.3 Rip cuts with rip fence

1. Lock rip fence in required position on saw table.

Danger!

Use push stick if distance between rip fence and saw blade is less than 120 mm.

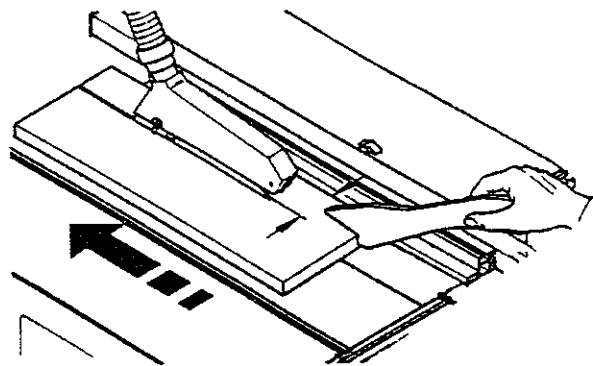
Use of push block and push stick

Push stick should be used to avoid working with hands close to the sawblade. Push blocks should be between 300mm and 400mm long, 80mm to 100mm wide and 15 mm to 20mm deep. Push blocks should be used when cutting small workpiece and in circumstance where it is necessary to push the workpiece against the fence.

The information concerning maintenance and repair of push block handles and push sticks you must change the part by a new one when you are sure the push stick or push block is damaged in order to avoid being hurted by the running sawblade.

2. Reposition auxiliary fence extrusion if necessary:

- Low edge (as shown) =for sawing thin stock; and with a tilted saw blade.
- High edge =for cutting thick stock (max. 65 mm)



- 3, Set blade tilt and lock in position.
- 4, Start motor.
- 5, Cut workpiece in a single pass.
- 6, Switch machine off if no further cutting is to be immediately afterwards

10. Care and maintenance

Danger!

Prior to all servicing:

- Switch machine OFF.
- Unplug power cable.
- Wait until the saw has come to a complete stop.

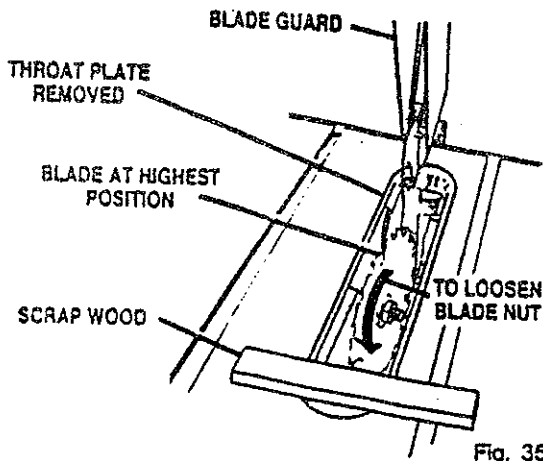
- Check that all safety devices are operational again after each service.
- Replace defective parts, especially of safety devices, only with genuine replacement parts. Parts not tested and approved by the equipment maker can cause unforeseen damage.
- Repair and maintenance work other than described in this section shall only be carried out by qualified specialists.

10.1 Saw blade change

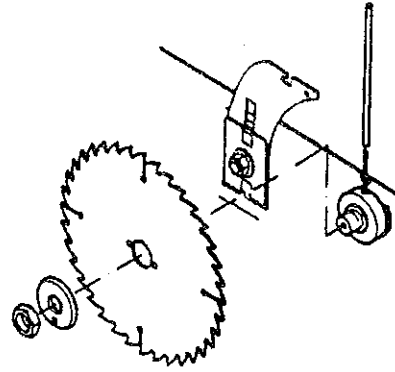
Danger!

Risk of injury by the saw blade's teeth. Wear gloves when changing blades.

1. Remove blade guard.
2. Lower saw blade fully.
3. Loosen 6 screws on cover plates. remove cover plates (a) slightly.



4. Raise saw blade fully.
5. To block the saw blade insert lock bar into hole in the saw table and turn saw blade by hand until lock bar engages in saw spindle hole.

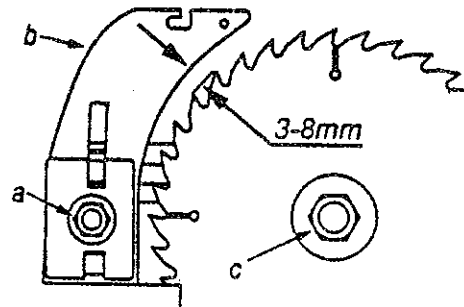


6. Loosen saw blade spindle arbor nut with spanner (L.H. thread!).
7. Take out blade collar and saw blade off the saw spindle.
8. Clean clamping surfaces of saw spindle and saw blade.

Danger!

Do not use cleaning agents (e.g. for removing resin residue) that could corrode the light metal components of the saw; the stability of the saw would be adversely affected.

9. Put on a fresh saw blade.



Danger!

Use only suitable saw blades— when using unsuitable or damaged blades parts could be explosive like hurled from it by the centrifugal force.

Do not use:

- saw blades with visible damage;
- cut-off wheel blades.

10. Slide outer blade collar onto saw spindle.
11. Screw arbor nut, with the low side facing the blade, onto the saw spindle (L.H. thread!).

Danger!

- Do not extend the arbor nut wrench.
- Do not tighten arbor nut by tapping on the wrench.
- After tightening the arbor nut do not forget remove the saw spindle lock bar!

Fixing of sawblade to spindle

Where the spindle diameter is less than the sawblade bore diameter, flanged bushes provided by the machine manufacturer should be used to make up the difference. The use of loose rings or bushes is not permitted.

11. Loosen screw (a) of the riving knife bracket.
12. Adjust the distance between the saw blade's outer edge and the riving knife (b). It must be 3-8mm.
13. Reinstall the cover plate and blade guard.

Slot for the sawblade in the table

The total width of the slot for the sawblade is 12mm the tilting direction is opposite to the ordinary item, so the distance between the fixed saw flange and the edge of the table slot is 8mm.

Selection of sawblade and riving knife

The range of sawblade diameters and thicknesses is below:

Sawblade diameter: 254mm

Sawblade thickness: 3mm

The operator should only select sawblades of a diameter and thickness suitable for the machine, as specified in the instruction handbook.

Selection of the riving knife is dependent on the saw blade thickness and sawblade diameter. The operator should ensure that the riving knife selected is suitable for the sawblade being used.

The riving knife guiding slot should be no more than 0.5mm wider than the riving knife guiding elements.

10.2 Cleaning the saw

1. Lay machine on its side.
2. Remove chips and saw dust with vacuum cleaner or brush:
 - from saw blade setting guide elements
 - from travelling sizing table guide elements
 - from motor vent slots

10.3 Machine storage



Danger!

Store saw so that

- it can not be started by unauthorized persons and
- nobody can get hurt.



Caution!

Do not store saw unprotected outdoors or in damp environment.

10.4 Maintenance

Before switching on

Visual check if distance saw blade – riving knife is 3-8 mm.
Visual check of power cable and power cable plug for damage; if necessary have damaged parts replaced by a qualified electrician.

11. Tips and Tricks

- Before cutting a workpiece to size make trial cuts with pieces of scrap.
- Always place a workpiece on the saw table in such way that it can not tilt or rock (e.g. always place a curved board on the table with the convex side up).
- When working long stock use suitable supports, such as table rear or side extensions (optional accessories)
- Keep surfaces of saw table and saw base clean – in particular, remove resin residue with a suitable cleaning and maintenance spray.

12. Repairs



Danger!

Repairs to electric tools must be carried out by qualified electricians only!

Electric tools in need of repair can be sent to the service centre of your country.

Refer to the spare parts list for the address.

Please attach a description of the fault to the electric tool.

13. Trouble Shooting



Before carrying out any fault service or maintenance work always:

1. switch machine OFF;
2. unplug power cable;
3. wait for saw blade to come to standstill.

Trouble Shooting Guide, (cont.)		
Problem	Cause	Solution
Motor is slow or weak	Voltage from source is low. Windings are burned out or open. Power Switch is defective. Circuit is overloaded with appliances, lights, or other electrically powered equipment.	Request a voltage check from local power company. Have the Motor checked/repared. Have the Power Switch replaced. Do not use other appliances or electrically powered equipment on the same circuit when using the Table Saw.
Motor overheats.	Motor is overloaded. Dull 10" Saw Blade. Sawdust inside Table Saw is blocking airflow.	Request a voltage check from the local power company. Replace the 10" Saw Blade. Clean out the Saw Base.
When ripping, the cut burns the workpiece, or stalls the Motor.	10" Saw Blade teeth are dull. Workpiece is warped. Rip Fence is not parallel with the 10" Saw Blade.	Sharpen or replace the 10" Saw Blade. Replace the workpiece. Realign Rip Fence, and lock it in position with the Rip Fence Handle.
Miter Gauge does not move freely.	Miter Gauge Assembly is dirty.	Loosen the Miter Gauge Knob, clean and lubricate the Miter Gauge Rod.
Rip Fence does not move smoothly.	Rip Fence is mounted incorrectly.	Remove, reposition Rip Fence, and lock it in position with the Rip Fence Handle.
Bevel & Height Handles are hard to turn.	Sawdust has collected on the mechanisms inside the Base.	Clean and lubricate the mechanisms inside the Base.
10" Saw Blade does not lower when turning the Height Handle.	Bevel Lock Handle is not fully released.	Fully release the Bevel Lock Handle.
Table Saw vibrates excessively.	Floor surface is uneven. V-Belt is damaged. 10" Saw Blade is damaged. Loose Bolt, Screws, Nuts.	Readjust the Leveling Feet. Replace the V-Belt. Replace the 10" Saw Blade. Tighten all Hardware.

Trouble Shooting Guide

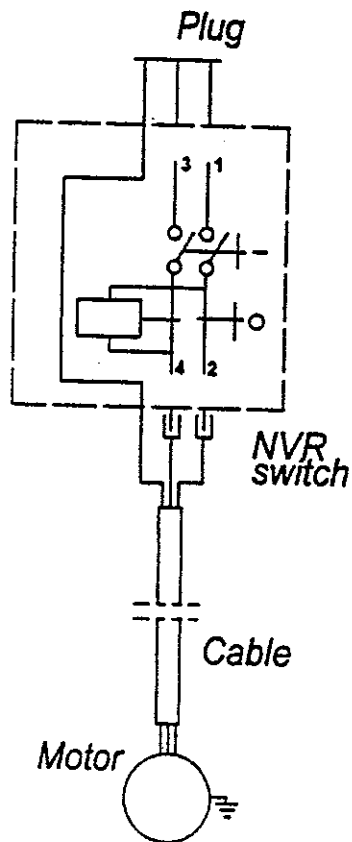
Problem	Cause	Solution
Table Saw does not start.	Motor Cord is not plugged in. Circuit fuse is blown. Circuit breaker is tripped. Motor Cord or Switch is damaged.	Plug in Motor Cord to Volt electrical outlet. Replace circuit fuse. Reset Circuit breaker. Have the Motor Cord or Switch replaced.
Power Switch does not operate.	Power Switch contacts are burned out. Capacitor is defective. Wiring connections are loose or damaged.	Have the Power Swith replaced. Request a voltage check from the local power company. Have the Capacitor replaced. Have the wiring connections checked/repared.
Fuses or circuit breakers open frequently.	Motor is overloaded. Fuses or circuit breakers are wrong size or defective. Dull 10" Saw Blade. Power Switch is defective.	Feed workpiece more slowly. Replace fuses or circuit breakers. Replace the 10" Saw Blade. Have the Power Switch replaced.
Motor stalls, blows fuses, or trips circuit breakers.	Motor is overloaded. Dull 10" Saw Blade. Fuses or circuit breakers are wrong size or defective. Feeding workpiece too rapidly.	Request a voltage check from the local power company. Replace the 10" Saw Blade. Replace fuses or circuit breakers. Feed workpiece into 10" Saw Blade more slowly.
Table Saw is noisy when running.	Motor is loose or defective.	Have the Motor checked/repared.
<p>W A R N I N G: TO PREVENT PERSONAL INJURY AND/OR DAMAGE TO THE TABLE SAW, MAINTENANCE AND REPAIRS SHOULD BE DONE ONLY BY A QUALIFIED TECHNICIAN.</p>		

14. Transportation

If you want to transport this machine to other district, you must take apart all the part that you have installed.

If possible use original carton for shipping.

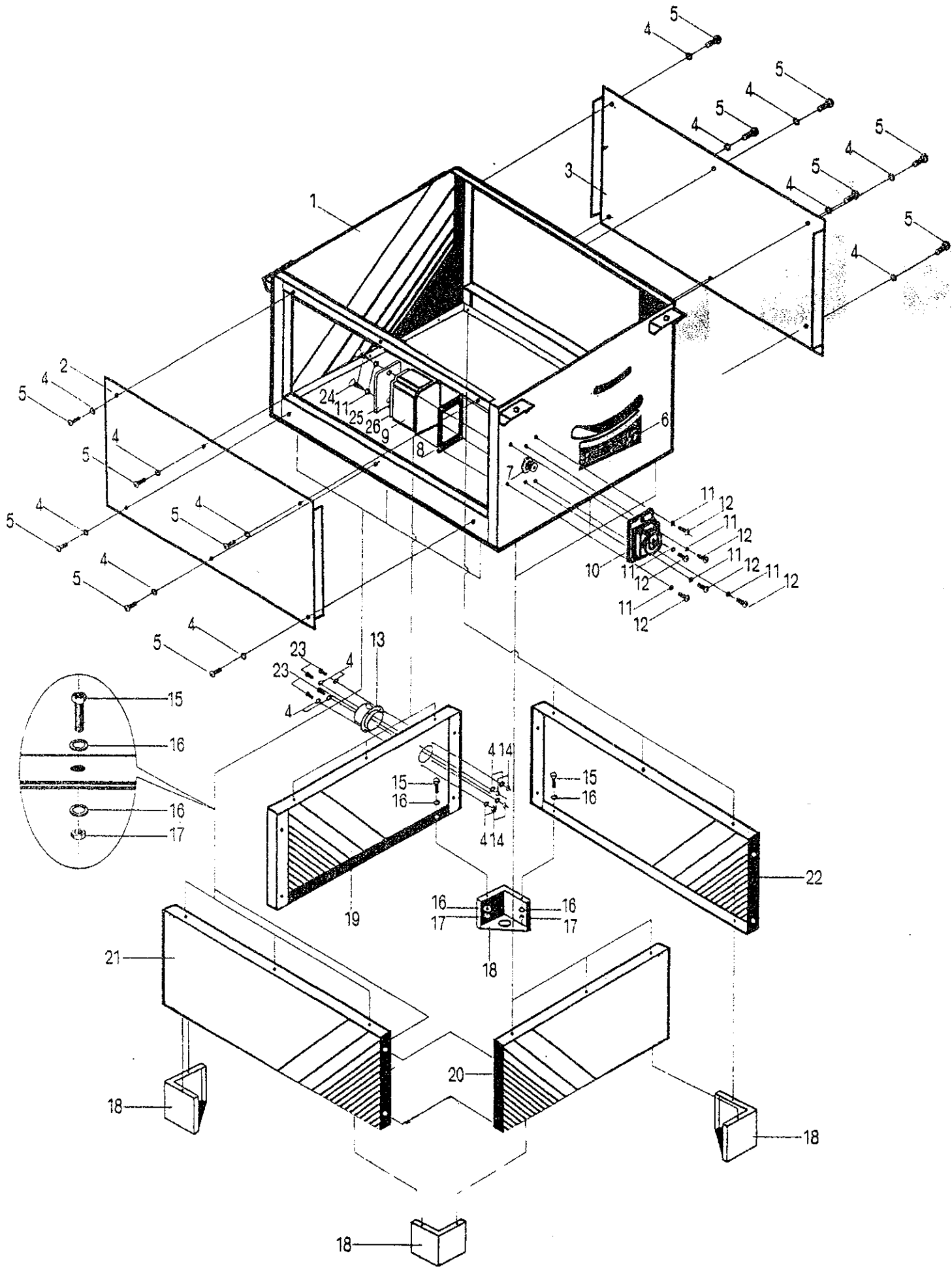
15. Circuit diagrams



16. Instruction for thermocutout in motor

There is a thermocutout inside the motor, this device protects the motor from being damaged in high temperature conditions. When the motor's temperature is too high, the fuse will shut off automatically. You should check the reasons to cause the high temperature or be carried out by qualified specialists at once. The thermocutout will return to normal automatically once the temperature has gone down.

* The end user shall provide a 10A overcurrent protection device in the supply system for this machine.



PARTS LIST FOR FIGURE A		
NO.	DESCRIPTION	QTY.
A-01	base	1
A-02	left side panel for base	1
A-03	right side panel for base	1
A-04	flat washer 6	20
A-05	cross recessed pan head screws M6 × 10	12
A-06	graduated plate	1
A-07	cablegrand	1
A-08	rubber washer of switch box	1
A-09	switch box	1
A-10	switch	1
A-11	flat washer 6	8
A-12	cross recessed pan head screws M4 × 10	6
A-13	dust collect tube joint	1
A-14	hexagon nut M6	4
A-15	hexagon head bolt M8 × 12	28
A-16	flat washer 8	56
A-17	hexagon nut M8	28
A-18	stand level foot	4
A-19	front panel for stand	1
A-20	rear panel for stand	1
A-21	left side panel for stand	1
A-22	right side panel for stand	1
A-23	cross recessed pan head screws M6 × 16	4
A-24	cross recessed pan head tapping screws ST4.0 × 12	2
A-25	switch bottom plate	1
A-26	bottom plate rubber washer	1

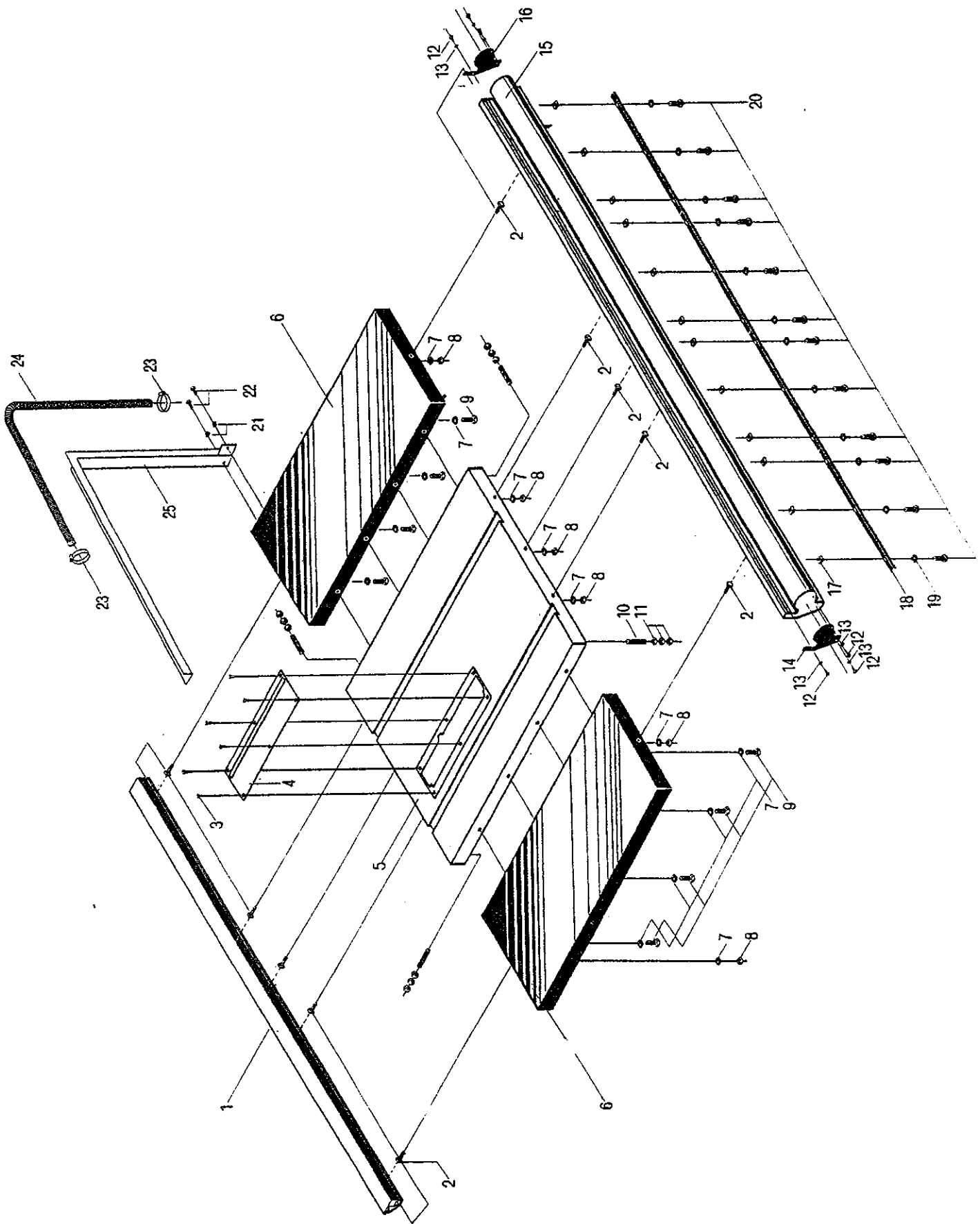


DIAGRAM B

PARTS LIST FOR FIGURE B		
NO.	DESCRIPTION	QTY.
B-01	rear rail	1
B-02	square head bolt M8×25	10
B-03	cross recessed countsunk head screws M5×6	5
B-04	cover plate	1
B-05	work table	1
B-06	extension table	2
B-07	flat washer 8	18
B-08	hexagon nut M8	10
B-09	hexagon head bolt M8×20	8
B-10	slotted set screw with flat point M10×80	4
B-11	hexagon nut M10	12
B-12	cross recessed pan head tapping screw ST4.0×12	6
B-13	flat washer 4	6
B-14	left end cap for front rail	1
B-15	front rail	1
B-16	right end cap for front rail	1
B-17	square nut M5	12
B-18	rack	4
B-19	lock washers external teeth	12
B-20	cross recessed pan head screw M5×8	12
B-21	flat washer 6	2
B-22	hexagon socket cap head screw M6×15	2
B-23	neck chain	2
B-24	dust collect tube	1
B-25	dust collect frame	1

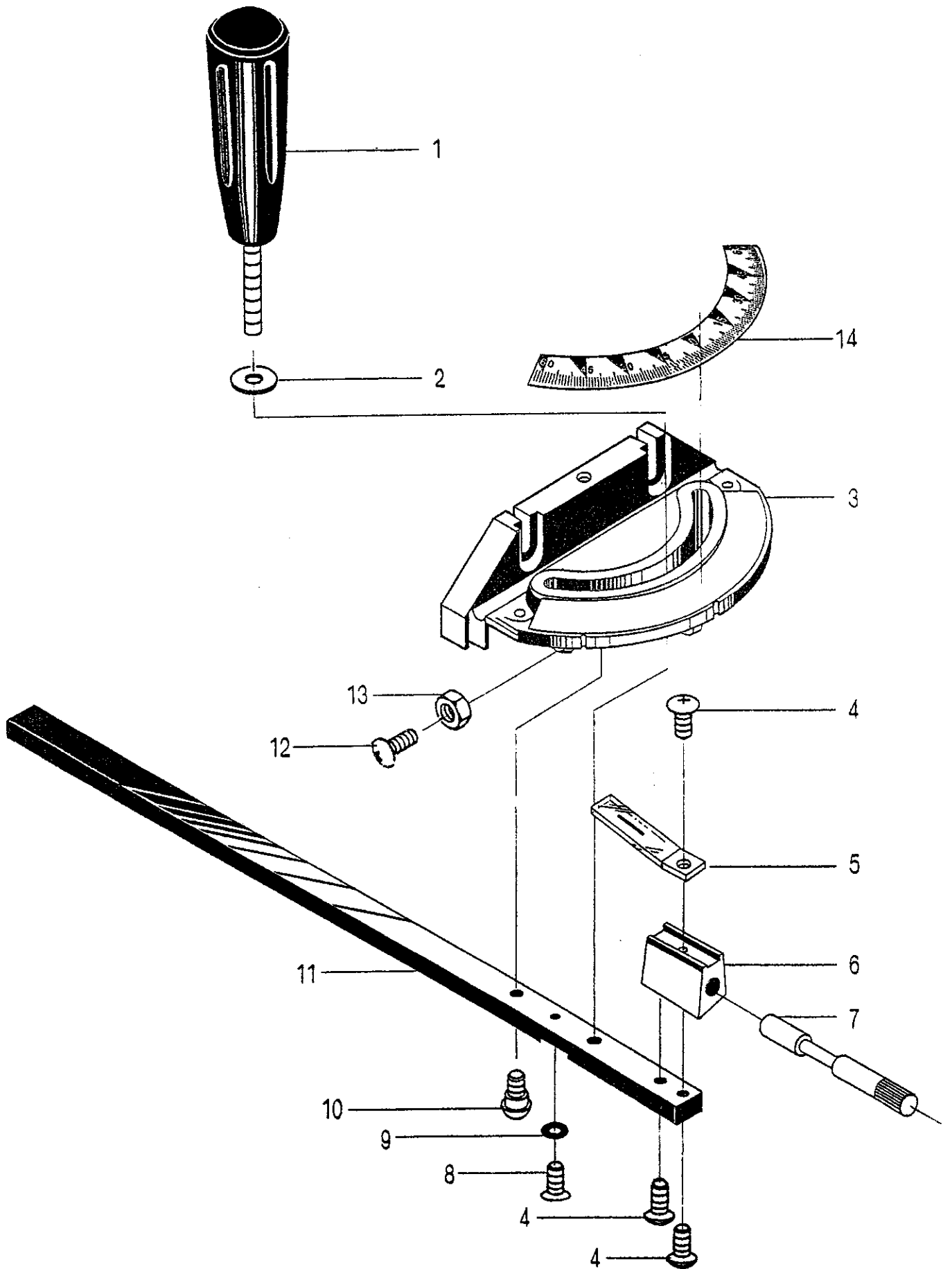


DIAGRAM C

PARTS LIST FOR FIGURE C

NO.	DESCRIPTION	QTY.
C-01	locking handle for graduated disc	1
C-02	flat washer 8	1
C-03	miter gauge	1
C-04	cross recessed pan head screw M5×10	3
C-05	miter gauge indicator	1
C-06	miter gauge block	1
C-07	stop pin	1
C-08	cross recessed countersunk head screw M5×8	1
C-09	miter gauge rod washer	1
C-10	shoulder screw	1
C-11	miter gauge guide rod	1
C-12	cross recessed pan head screw M4×18	3
C-13	hexagon nut M4	3

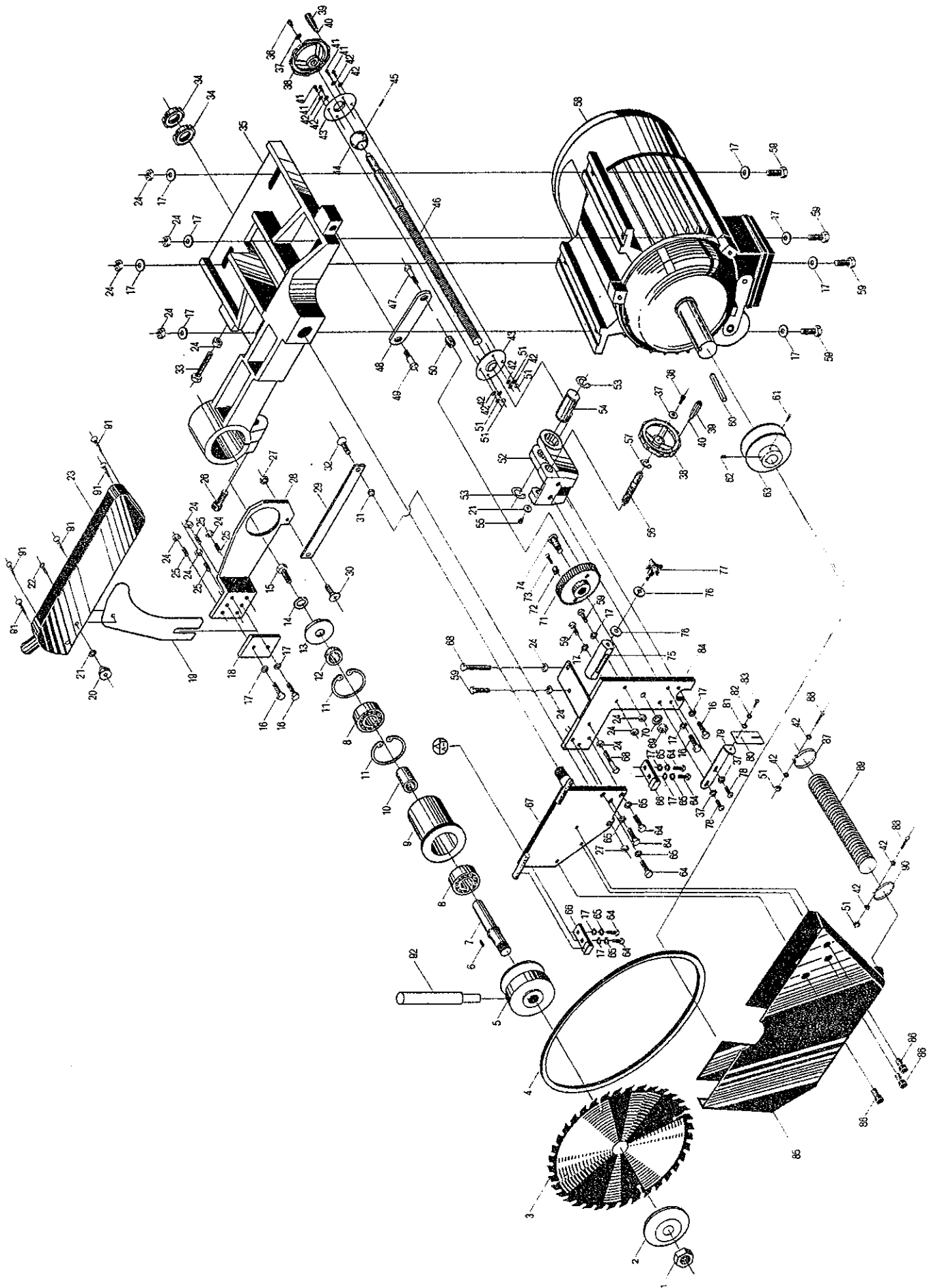


DIAGRAM D

NO.	DESCRIPTION	QTY	NO	DESCRIPTION	QTY
D-01	blade nut M16(left-hand)	1	D-42	flat washer 6	8
D-02	outer blade washer	1	D-43	ball bracket	2
D-03	blade	1	D-44	thread rod ball	1
D-04	A-belt	1	D-45	spring dowl 4×28	1
D-05	pulley	1	D-46	adjusting thread rod	1
D-06	key A-type	1	D-47	wormwheel connecting rod nail A	1
D-07	arbor shaft	1	D-48	wormwheel connecting rod	1
D-08	bearing 80203	2	D-49	wormwheel connecting rod nail B	1
D-09	arbor shaft sleeve	1	D-50	connecting rod bush	1
D-10	arbor shaft bush	1	D-51	Hexagon nut M6	4
D-11	circlips for hole d0=40	2	D-52	Adjusting frame	1
D-12	arbor shaft end bush	1	D-53	circlips for shaft d0=24	2
D-13	press washer	1	D-54	knuckle	1
D-14	single coil spring lock washer 6	1	D-55	hexagon socket cap head screw M6×12	1
D-15	hexagon head bolt M6×16	1	D-56	height adjustment rod	1
D-16	hexagon head bolt M8×20	2	D-57	circlips for shaft d0=18	1
D-17	flat washer 8	18	D-58	motor	1
D-18	press board for riving knife	1	D-59	hexagon head bolt M8×40	7
D-19	ripping knife	1	D-60	key 8×7×50	1
D-20	flower nut	1	D-61	hexagon socket set screw with flat point M6×9	1
D-21	large washer 6	2			
D-22	step bolt M6×46	1	D-62	hexagon socket set screw with flat point M6×6	1
D-23	blade guard	1			
D-24	hexagon nut M8	13	D-63	motor wheel	1
D-25	hexagon socket set screw with flat point M8×25	4	D-64	hexagon socket cap head screw M8×24	7
			D-65	single coil spring lock washer 8	7
D-26	hexagon socket cap head screw M10×30	1	D-66	rotation press block	2
D-27	locking nut with plastic insert M8	2	D-67	adjusting cradle	1
D-28	ripping knife bracket	1	D-68	hexagon head bolt M8×75	1
D-29	connecting rod	1	D-69	hexagon nut M12	1
D-30	cross recessed countersunk head screw M8×20	1	D-70	single coil spring lock washer 12	1
			D-71	wormwheel	1
D-31	connecting rod bush	1	D-72	eccentric sleeve	1
D-32	cross recessed countersunk head screw M8×30	1	D-73	hexagon socket cap head screw M8×30	1
			D-74	wormwheel shaft nail	1
D-33	hexagon head bolt M8×65	1	D-75	locking block	1
D-34	locking nut for motor base	2	D-76	large washer 8	2
D-35	motor base	1	D-77	flower bolt	1
D-36	hexagon socket cap head screw M5×12	2	D-78	cross recessed pan head screw M5×12	2
D-37	larger washer 5	4	D-79	point bracket	1
D-38	handwheel	2	D-80	point	1
D-39	handle	2	D-81	flat washer 4	1
D-40	handle bolt	2	D-82	single coil spring lock washer 4	1
D-41	cross recessed pan head screw M6×16	4	D-83	cross recessed pan head screw M4×10	1

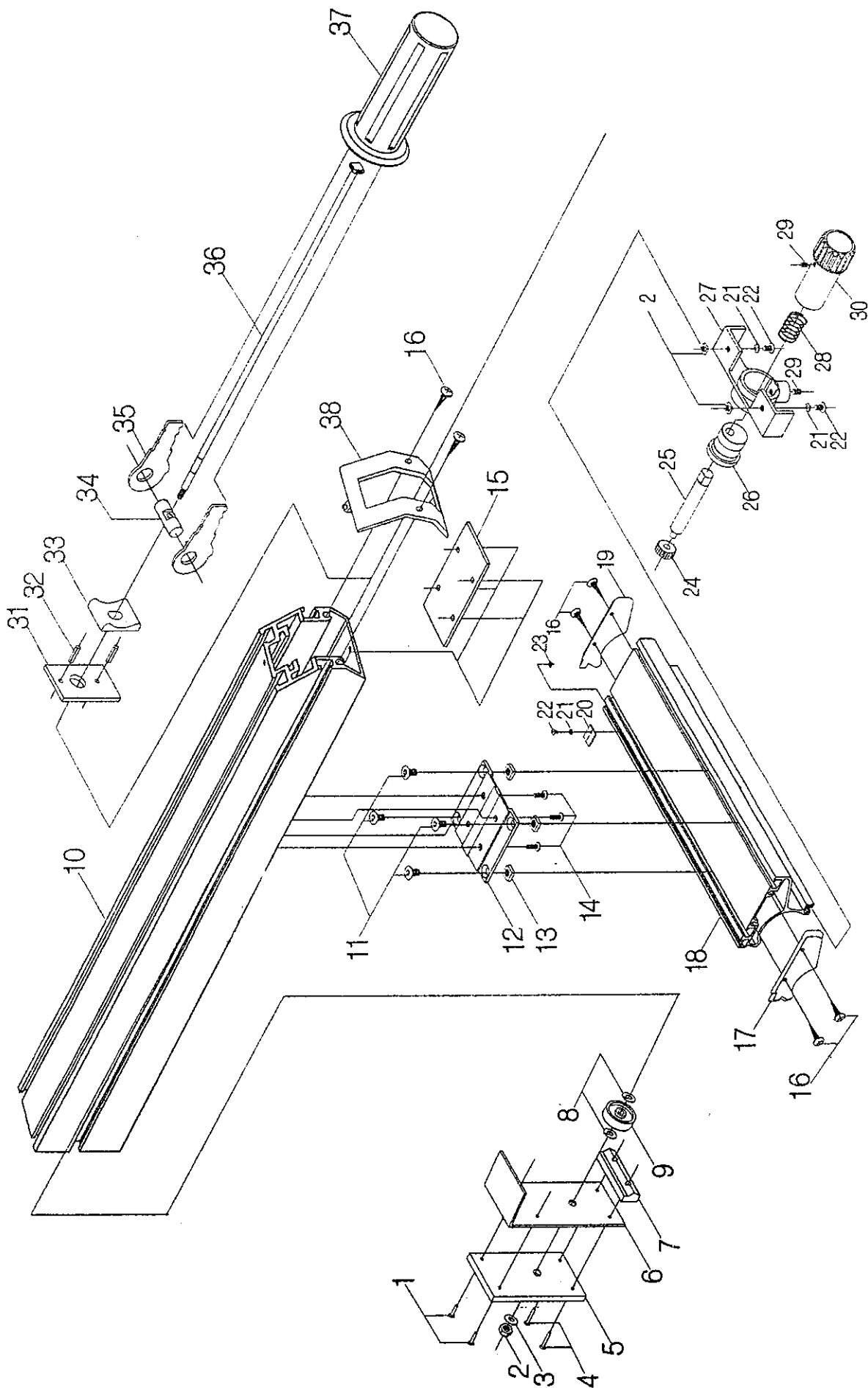


DIAGRAM E

NO.	DESCRIPTION	QTY
E-01	round head rivets with small head $\phi 3 \times 7$	2
E-02	hexagon nut M8	1
E-03	flat washer 8	1
E-04	round head rivets with small head $\phi 3 \times 13$	2
E-05	lock plate	1
E-06	lock spring	1
E-07	lock block	1
E-08	spring ring d6	2
E-09	rolling wheel	1
E-10	rip fence	1
E-11	cross recessed countersunk head screw M6 \times 12	4
E-12	fence plate	1
E-13	square nut M6	4
E-14	cross recessed pan head screw M6 \times 16	4
E-15	board instead of nut	1
E-16	cross recessed countersunk head tapping screw ST4.0 \times 12	6
E-17	left end cap for scale indicator housing	1
E-18	scale indicator housing	1
E-19	right end cap for scale indicator housing	1
E-20	scale indicator	1
E-21	lock washer external teeth 5	3
E-22	cross recessed pan head screw M5 \times 10	3
E-23	square nut	3
E-24	small gear	1
E-25	gear rod	1
E-26	eccentric wheel	1
E-27	gear rod frame	1
E-28	spring for gear rod	1
E-29	hexagon socket set screw with flat point M6 \times 5	2
E-30	rip fence handle	1
E-31	rear board	1
E-32	pin $\phi 5 \times 16$	2
E-33	rear block	1
E-34	lock eccentric rod	1
E-35	lock eccentric	2
E-36	rip fence lock rod	1
E-37	rip fence handle	1
E-38	rip fence cover	1